

规格命名

P/N system

**EVD**    **30**    **C**    **12**    **Q**    **A**

系列	EVD	Series
额定电流	30	Current(continue)
主触点形式： “C” = 一组常开，分极性	C	Main contacts feature: “C” = 1 form A (NO), polarized
线圈额定电压： “12” = 12VDC ; “24” = 24VDC	12	Coil nominal voltage: “12” = 12VDC, “24” = 24VDC
线圈引出方式： “Q” = 插片式	Q	Coil lead out: “Q” = Insert
安装方式： “A” = 底部安装	A	Installation: “A” = Bottom mounting
订货编码： EVD30C12QA EVD30C24QA	D.A5CDQC0-00A7-T000 D.B5CDQC0-00A7-T000	Order code: EVD30C12QA EVD30C24QA

电气性能		Electrical Characteristics		
触点构成	1 form A (NO)	Contact form		
接触电阻	≤30mΩ(6VDC 20A) (典型值 typical value 5mΩ)	Contact resistance		
额定短时耐受电流及持续时间	50A 10min ; 100A 10s	Current Endurance		
负载电压	12-750 VDC	Load voltage		
触点极性	有极性 polarized	Polarity for main contacts		
辅助触点	无 non	Auxiliary contacts		
绝缘电阻 (初始)	1000MΩ (1000V DC)	Insulation(initial)		
耐电压 (初始)	触点间	2000V AC 1min ( at 10mA )	Main contacts	Dielectric voltage (initial)
	触点与线圈间	3000V AC 1min ( at 10mA )	Contacts and coil	
寿命	机械寿命	2×10 <sup>5</sup> 次/cycles	Mechanical durability	Durability
	电气寿命 ※1, ※2, ※3	DC450V, 1500次	Electrical durability (resistive load) ※1, ※2, ※3	

备注：

Note :

※1：负载类别：DC-1

※1：Load type：DC-1

※2：接通和断开转换频率，ON：OFF=1秒:9秒；

※2：ON：OFF=1 sec：9sec；

※3：使用环境温度的上限值，能满足线圈温度上升值的最高温度。

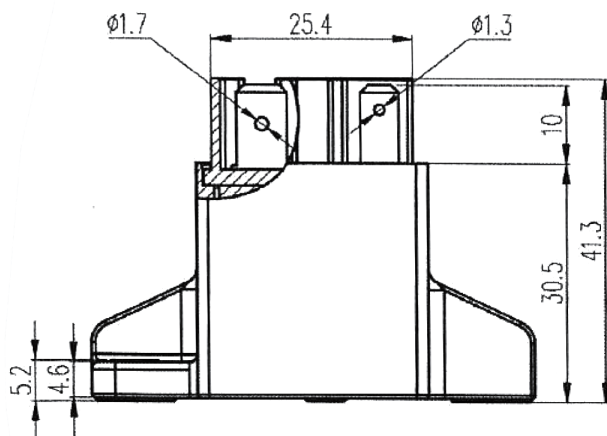
※3：Limit of ambient temperature, can meet the maximum temperature of coil temperature appreciation.

以上值均为环境温度 20℃下初始值，试验后不能满足耐压和绝缘电阻要求。

The above values are the initial values under the ambient temperature of 20 °C, which can not meet the requirements of withstand voltage and insulation resistance after the experiment.

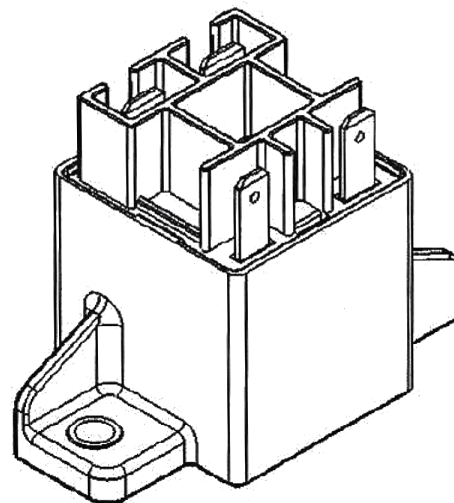
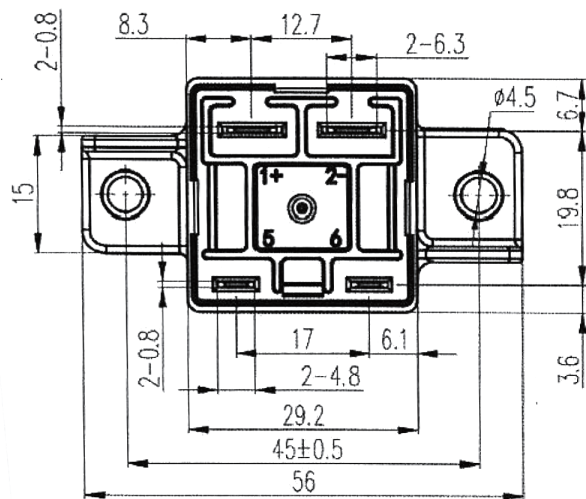
线圈参数		Coil data	
额定电压	12V DC	24V DC	Nominal voltage
吸合电压	9Vdc Max.	18Vdc Max.	Pick up voltage
保持电压	10.2Vdc Min.	20.4Vdc Min.	Keep the voltage
最大启动电流	250mA	125mA	Maximum starting current
额定线圈电阻(±5%)	48Ω	192Ω	(±5%)Rated coil resistance
释放电压	1Vdc Min.	2Vdc Min.	Drop out voltage
额定消耗功率(约)	约 3W		Coil power(Approx)
线圈极性	不分极性 non-polarized		Polarity for coil
备注:			Note :
(1) 以上值均为环境温度 20°C下初始值		(1) The value of coil parameters are measured at +20°C.	
(2) 如需其他额定电压, 可特殊订货		(2) Other nominal voltage could be ordered specially.	

**外形尺寸** **Dimension**



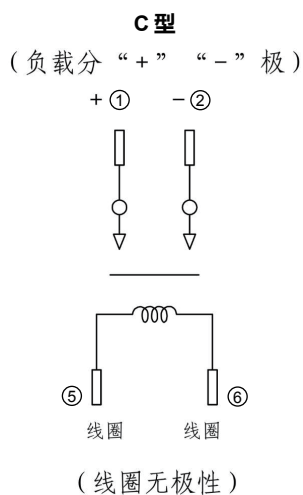
备注 Notes:

- 1、尺寸单位 Unit: mm, 视角:  $\oplus \triangleright$ ;
- 2、未注尺寸公差 Tolerance(not specified):  
 标称值 Dimension <10mm: ±0.3,  
 标称值 Dimension 10~50mm: ±0.6,  
 标称值 Dimension >50mm: ±1.0;
- 3、线圈导线长度与接线端子规格可根据客户的需求进行订制。  
 Coil wire length and connectors could be customized according to client's requirement.



接线示意图

Schematic



**C Type**

main contact is polarized for( + ) , ( - ) Coil is non-polarized.

扭矩范围

Torque range

主触点连接铜导线公称横截面积

6mm<sup>2</sup> Min

Nominal section area of conductor

环境性能

Environmental Characteristics

冲击

20g peak , 11ms 1/2 sine  
(线圈通电 coil energized)

Shock

振动

4g peak , 10~500 Hz sine

Vibration

使用与贮存环境温度

-40°C - +85°C

Temperature range

使用与贮存环境湿度

5% - 95%RH  
(无结露、结冰 No condensation and freezing)

Humidity range

动作时间

Operate times

动作/吸合 (含弹跳) 时间

≤30ms ( at20°C )

Operate(include bounce)

复位/释放 (含弹跳) 时间

≤12ms ( at20°C )

Release(include bounce)